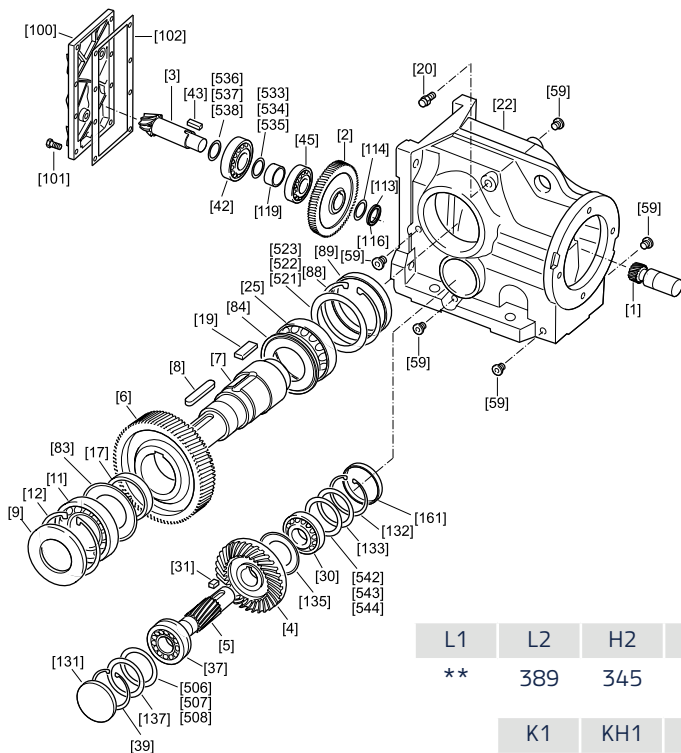


# دیتاشیت و مشخصات فنی گیربکس بول هلیکال شریف

## اجزاء سازنده

### Components

No.	Name
[1]	Pinion
[2]	Gear
[3]	Pinion shaft
[4]	Gear
[5]	Pinion shaft
[6]	Gear
[7]	Output shaft
[8]	Key
[9]	Oil seal
[11]	Rolling bearing
[12]	Retaining ring
[17]	Spacer tube
[19]	Key
[20]	Breather valve
[22]	Gear unit housing
[25]	Rolling bearing
[30]	Rolling bearing
[31]	Key
[37]	Rolling bearing
[39]	Retaining ring
[42]	Rolling bearing
[43]	Key
[45]	Rolling bearing
[59]	Screw plug
[83]	Shield ring
[84]	Shield ring
[88]	Retaining ring
[89]	Closing cap
[100]	Inspection cover
[101]	Hex head screw
[102]	Gasket
[113]	Slotted nut
[114]	Multi-tang washer
[116]	Thread lock



No.	Name
[119]	Spacer tube
[131]	Closing cap
[132]	Retaining ring
[133]	Supporting ring
[135]	Shield ring
[137]	Supporting ring
[506]-[544]	Shim

## نقشه انفجاری

### Exploded view drawing

## K87



## مشخصات عمومی

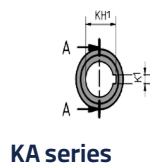
### General information

فولاد	جنس دنده
Steel	Gear material
چدن	جنس پوسته
Iron	Shell material
60 (mm)	قطر شافت یا هالو شافت خروجی Output shaft or hollow shaft diameter
65 (mm)	قطر هالو شفت در صورت استفاده از شیرینک دیسک The diameter of the hollow shaft with shrink disk

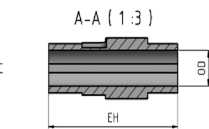
## ابعاد و اندازه

### Dimensions and size

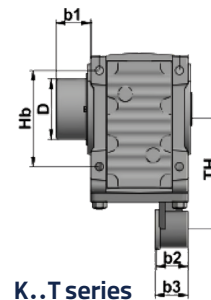
L1	L2	H2	Ch	CL	W	Wb	Hb	OL	Lb	Od	K	Kh	OD	EH
**	389	345	212	132	235	180	233	120	180	60	18	53	60	246
K1	KH1	OD2	EH2	Hb	D	b1	b2	b3	TH	d2	d3	b		
18	64.4	65	284	233	164	63	72	80	302	250	350	30		



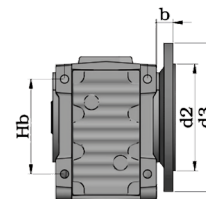
KA series



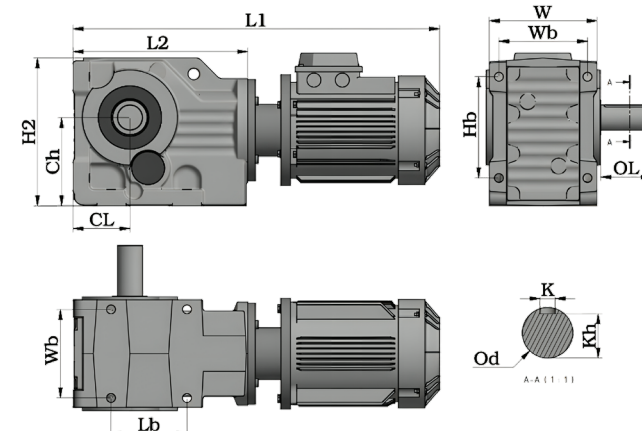
KH series



K..T series



KF series



Power		Speed	Pole Num	n2	Ratio	T	Fs
(kw)	(hp)	(rpm)		(rpm)		(N.m)	
0.55	0.75	1000	6P	8	117.51	657	3.73
0.55	0.75	1000	6P	10	96.77	525	4
0.75	1	1000	6P	8	117.51	895	2.8
0.75	1	1000	6P	10	96.77	716	3
1.1	1.5	1000	6P	8	117.51	1313	1.87
1.1	1.5	1000	6P	10	96.77	1051	2
1.1	1.5	1000	6P	12	79.13	875	2.72
1.1	1.5	1000	6P	15	65.17	700	2.85
1.5	2	1000	6P	10	96.77	1433	1.52
1.5	2	1000	6P	12	79.13	1194	2
1.5	2	1000	6P	15	65.17	955	2.14
1.5	2	1500	4P	16	91.6	895	2.7
2.2	3	1000	6P	10	96.77	2101	1
2.2	3	1500	4P	12	117.51	1751	1.43
2.2	3	1500	4P	16	91.6	1313	1.8
2.2	3	1500	4P	25	57.44	840	2.77
2.2	3	1500	4P	30	47.3	700	2.77
3	4	1500	4P	12	117.51	2388	1
3	4	1500	4P	15	96.77	1910	1.12
3	4	1500	4P	18	79.13	1592	1.55
3	4	1500	4P	25	57.44	1146	2
3	4	1500	4P	30	47.3	955	2

Power		Speed	Pole Num	n2	Ratio	T	Fs
(kw)	(hp)	(rpm)		(rpm)		(N.m)	
3	4	1500	4P	34	42.69	843	2.77
3	4	1500	4P	41	35.16	699	3.65
3	4	1000	6P	22	42.69	1302	1.83
3	4	1000	6P	27	35.16	1061	2.4
4	5.5	1500	4P	18	79.13	2122	1.13
4	5.5	1500	4P	25	57.44	1528	1.5
4	5.5	1500	4P	30	47.3	1273	1.5
4	5.5	1500	4P	34	42.69	1124	2
4	5.5	1500	4P	41	35.16	932	2.65
4	5.5	1500	4P	50	29.51	764	3.27
5.5	7.5	1500	4P	34	42.69	1545	1.48
5.5	7.5	1500	4P	41	35.16	1281	1.95
5.5	7.5	1500	4P	50	28.75	1051	2.14
5.5	7.5	1500	4P	63	23	834	3
5.5	7.5	1000	6P	27	35.16	1945	1.28
5.5	7.5	1000	6P	35	27.41	1501	1.62
5.5	7.5	1000	6P	40	23.68	1313	1.86
5.5	7.5	1000	6P	47	19.87	1118	2.3
7.5	10	1000	6P	35	27.41	2046	1.22
7.5	10	1000	6P	41	23	1747	1.5
7.5	10	1500	4P	34	42.69	2107	1.11
7.5	10	1500	4P	41	35.16	1747	1.46

Power		Speed	Pole Num	n2	Ratio	T	Fs
(kw)	(hp)	(rpm)		(rpm)		(N.m)	
7.5	10	1500	4P	50	29.51	1433	1.8
7.5	10	1500	4P	63	23	1137	2.28
7.5	10	1500	4P	73	19.87	981	2.62
7.5	10	1500	4P	84	17.19	853	2.86
7.5	10	1500	4P	100	14.42	716	3.5
11	15	1500	4P	50	29.51	2101	1.2
11	15	1500	4P	63	23	1667	1.52
11	15	1500	4P	73	19.87	1439	1.74
11	15	1500	4P	84	17.19	1251	1.91
11	15	1500	4P	100	14.42	1051	2.36
11	15	1500	4P	118	12.27	890	2.35
15	20	1500	4P	63	23	2274	1.14
15	20	1500	4P	73	19.87	1962	1.31
15	20	1500	4P	84	17.19	1705	1.43
15	20	1500	4P	100	14.42	1433	1.77
15	20	1500	4P	118	12.27	1214	1.77
15	20	1500	4P	143	10.11	1002	2.35
18.5	25	1500	4P	84	17.19	2103	1.15
18.5	25	1500	4P	100	14.42	1767	1.41
18.5	25	1500	4P	118	12.27	1497	1.41
18.5	25	1500	4P	143	10.11	1235	1.88